

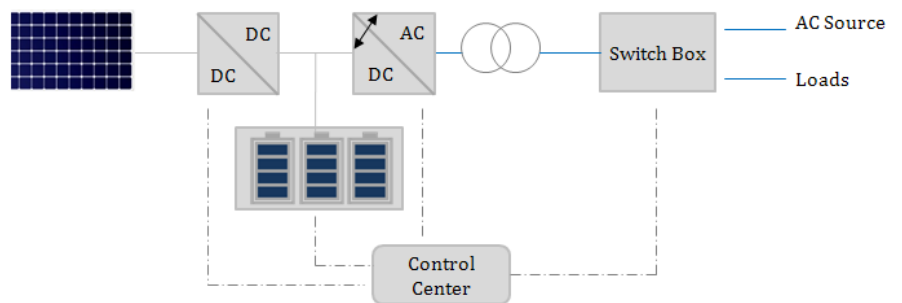


BYD 40kW/40kWh ESS Solution

40kW/40kWh ESS is a scalable modular lithium-ion battery storage solution. Batteries and control electronics are inserted in two standard 42U cabinets as plug-in units. The individual battery modules, solar chargers and PCS can be pulled out, inserted, and moved safely. The intelligent battery management system (BMS) monitors state of charge, voltage, and temperature of the individual battery modules, among others. The whole system can be operated automatically based on the internal intelligent program and enable the users to use more efficient and stable electricity.



- * Integrated all devices into standard 42U cabinets, operate automatically based on internal intelligent program.
- * Modular design, flexible for maintenance, installation and capacity extension.
- * Use BYD long cycle life LiFePO4 battery, providing high performance and safety system.
- * Provide continued power supply when mains grid failure.
- * Effectively using solar and battery energy to protect yourself from electricity price rising.
- * Suit for remote area where there is no mains grid or grid is unstable.
- * With PV smoothing function, can reduce the impact of instable solar.



	Item	Parameters
PCS Parameter	Nominal Power	40KW
	Output Voltage	400V/Three-phase
	Nominal Frequency	50HZ
	Max. Efficiency	97.50%
	Power Factor	-1~1
	THD(On-grid Operation)	<3%(Nominal Power)
	THD(Off-grid Operation)	<5%(Nominal Power)
PV Charger Parameter	Nominal Power	60KW
	Maximum Voltage	650V
	MPPT Voltage Range	300V~500V
Battery Parameter	Battery Nominal Capacity	40KWh
System Parameter	Communication Interface	RS485
	Cabinet Protection Grade	IP20 (Indoors)
	Environment Temperature	0~+45℃
	Relative Humidity	20~90% (No Condensation)
	Max. Altitude	3000m
	Cooling Method	Forced Air Cooling
	Dimension (L*W*H)	PCS Cabinet: 600*1200*2100 mm Battery Cabinet: 600*1200*2100 mm
	Package Weight	PCS Cabinet: 666kg Battery Cabinet: 914kg

